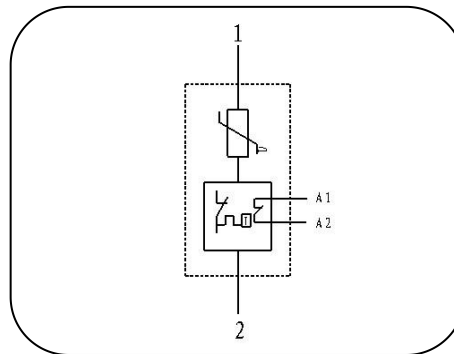
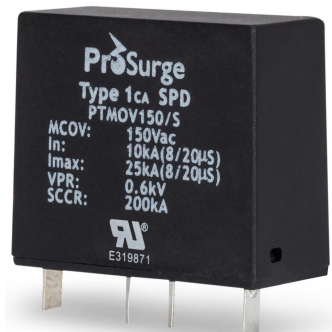


POWER SUPPLY SYSTEM

MODULAR THERMALLY PROTECTED MOV

PTMOV



Circuit diagram

Technical Features

UL1449 4th Type 1ca surge suppressor with thermal protection designed to open in the event of overheating due to an abnormal over-voltage or temporary over voltage (TOV) and will interrupt any abnormal current that may be encountered.

- UL1449 4th approved for Type1CA, UL File No. E319871, CSA for Type 2CA, compliant with IEC/EN 61643-1/11 standard
- PCB mounting design, compatible with reflow and wave soldering procedure
- Compact size to save installation space
- Quick thermal response and perfect circuit cutoff function due to special thermal disconnecter design with internal arc extinguishing device(Patented)
- High surge current discharge capacity up to 25kA 8/20 μ s
- SCCR up to 200kArms without external fuse or CB
- Floating remote signaling contact (rating:0.1A, 12Vdc max) for fault indication
- Wide operating temperature range and high reliability
- Application in the AC mains, service entrance, and heavy industrial etc

Type	PTMOVxxx/S					
	150	180	320	420	550	690
In accordance with	ANSI/UL1449-4th; IEC61643-11:2012					
Category	Type 1ca per UL 1449 4th Type 2ca per CSA					
Thermal disconnecter (patented)	Internal thermal disconnecter & arc extinguishing					
Max. Continuous operating voltage (AC/DC) MCOV	150V /200V	180V /230V	320V /410V	420V /560V	550V /745V	690V /910V
Nominal discharge current(8/20) In x 15 times	10kA					
Max. Discharge current(8/20) Imax x 1 time	25kA				22kA	
Discharge current (8/20) x 2 times	20kA					
Voltage protection level VPR	≤0.6kV	≤0.8kV	≤1.0kV	≤1.2kV	≤1.8kV	≤2.0kV
Response time	≤25 ns					
Operating temperature range	- 40°C ~ + 80°C					
Enclosure material	Thermoplastic; extinguishing degree UL94 V-0					
Insulation resistance	≥10 MOhm					
Electric strength	≥2500V					
Remote alarm contact	Switching isolation, Open: failure; Close: normal, Rating:0.1A,12Vdc (max)					
Short circuit current rating SCCR	200kA					
Approvals, certifications	UL CE					

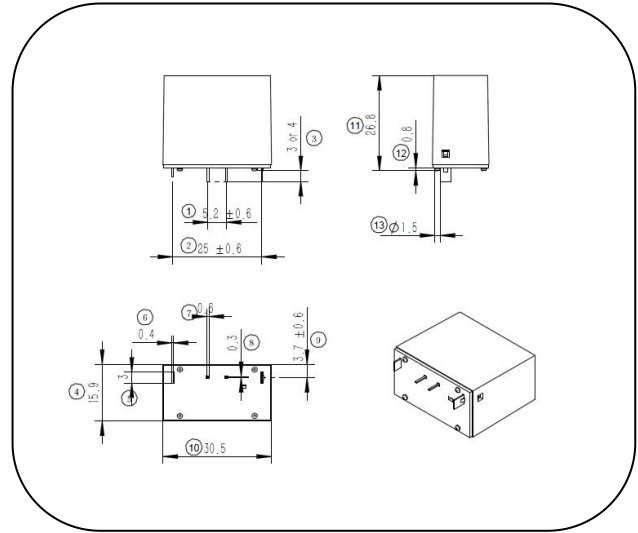
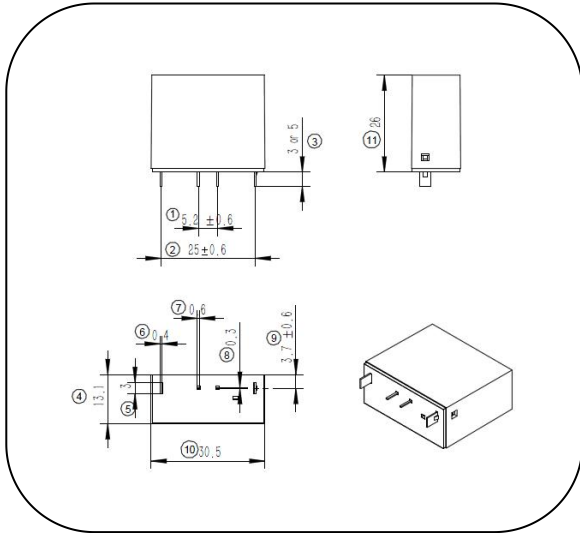
POWER SUPPLY SYSTEM

Dimension drawing (mm)

Tolerance without ± 0.3 mm

PTMOVxxx/S (MCOV:150~420Vac)

PTMOVxxx/S (MCOV:550~690Vac)



PCB Layout Dimensions: (mm)

PTMOVxxx/S (MCOV:150~420Vac)

PTMOVxxx/S (MCOV:550~690Vac)

